

## DSP255 Outdoor Waterproof Column Speaker



### Features

- IP66 waterproof level
- Power taps at 8w-15w@100V
- Max SPL: 97±2dB
- High sensitivity: 88±2dB
- Wide Freq.Resp.:140Hz-14kHz
- Built-in 100v/70v transformer
- Aluminum enclosure & grille
- Weatherproof column type loudspeaker
- 2 units 3"x5" and 1 unit 2.5" full range drivers

### Description

The DSP255 is a weatherproof outdoor column speaker with a 70v/100v transformer built-in. The 70v/100v transmission is realized in a high-voltage, low-current mode, which makes longer distance transmission and parallel connection of multiple loudspeakers possible.

The built-in 2 units 3"x5" and 1 unit 2.5" full range speaker drivers are designed of wide frequency response 140-14,000Hz, the multiple power taps of 8W & 15W could meet different applications varies from room size and ambient noise surroundings

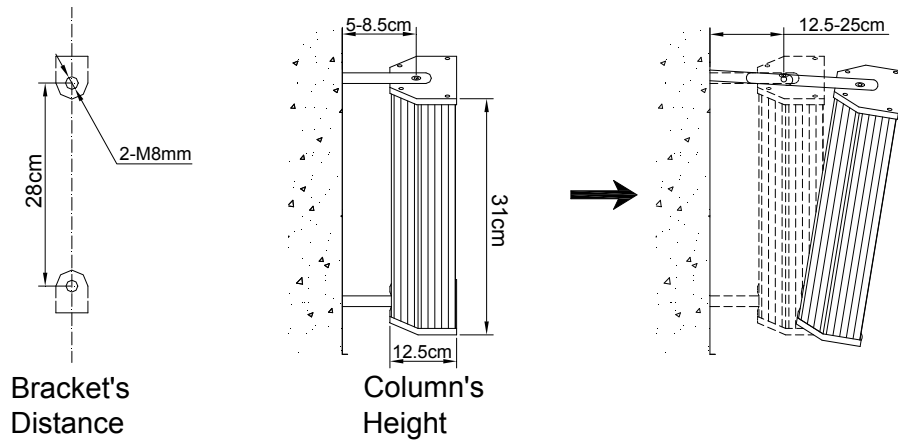
The net cover is made of aluminum and would not rust, it is also designed of weatherproof and heavy damage proof finish; long-term durability, high sensitivity, clear and sonorous sound. Easy and secure wall mount installation in outdoor area through the supplied pair of metal mounting brackets.

It is ideal choice for industrial and commercial applications in the outdoor area of train station, shopping mall, parking area and factory where background music and paging is needed.

### Specification

Model	DSP255
Full-range	3"×5"×2, 2.5"×1
Rated Power	8W
Max Power	15W
Line Voltage	70/100V
Sensitivity(1M,1W)	88±2dB
Max SPL(1M)	97±2dB
Freq. Resp	140-14,000Hz
Dimension(L×W×H)	112×112×400mm
Weight	2.2kg

## Positioning Dimensions & Diagram



## Installation

1. Fit 2 Ø8mm screws on the mounting surface and set the speaker system as above;
2. Connect audio broadcasting wire to the terminals according to the table below;

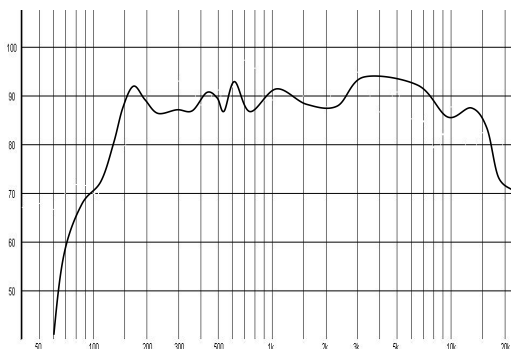
Terminals	Power	Line	Voltage	70V	100V
	P1---P3				4W
P1---P2				8W	15W

Data in the table is for DSP255/DSP455 respectively.

3. Adjust the direction of the set and examine whether it is steady.

## FREQ. RESPONSE

(dB SPL, 1W, 1m)



## DISTORTION

(THD < 1.5% 1W, 1m, 140Hz~14kHz)

