

MP9306U 60W Ultra-thin Digital Mixer Amplifier

Features



- With 3 working modes:Bluetooth ,USB and Line.
- Wireless Bluetooth playing. Remote control.
- With Signal level indicator (SIG), Clip Indicator (CLIP), and Protection indicator(PRO).
- 100 VRS prior line input ,EMC input.
- 2 MIC inputs, with phantom input and priority input, 2 lines input.
- With 1 line 100V outputs and 1 line auxiliary outputs.
- Priority: 100V input priority> Mic1>others
- With short-circuit, overload and high temp protection,temperature-controlled fan.
- Individual volume control for Mic 1-2, line 1-2, bass/treble and master volume control.

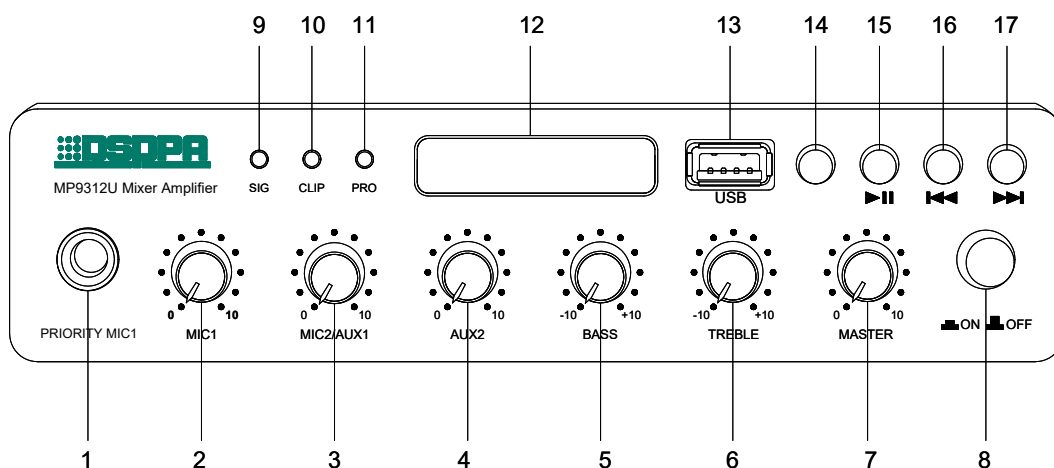
Specifications

Model		MP9312U	MP9306U
Rated Output Power		120W (Note: Please use a constant-voltage speaker within the power range)	60W (Note: Please use a constant-voltage speaker within the power range)
Rated Output Voltage		100V	
Sensitivity	MIC1 IN	0.005(±1mV)	
	MIC2 IN	0.006(±1mV)	
	LINE1 IN,LINE2 IN, PRIORITY IN	0.3(±20mV)VRMS	
	PRIORITY IN-100V	100 VRMS	
SNR	MIC1, MIC2, LINE1 IN	≥74db(MAX.)	
	LINE2 IN,INPUT PRIORITY	≥80dB(MAX.)	
Frequency Range		80Hz-15kHz (±3dB)	
THD		≤0.5% (1K under normal working condition)	
Working Voltage		AC180-250V/50-60Hz	
Tone	Bass	±10dB (100Hz)	
	Treble	±10dB (10kHz)	

Rated Power Consumption	180W	90W
Package Dimensions (L×W×H)	310×275×120mm	
Machine Dimensions (L×W×H)	200×190×44mm	
Net Weight	1.5kg	
Gross Weight	2kg	

The specification will be subject to changes without prior notices,

Front panel



1. MIC1 IN with the second priority MIC1 Volume

Adjust MIC1 volume. Turn clockwise to turn up the volume, and counterclockwise to turn down the volume.

2. MIC2/AUX1 Volume

Adjust MIC2/AUX1 volume. Turn clockwise to turn up the volume, and counterclockwise to turn down the volume.

3. AUX2 Volume

Adjust AUX2 volume. Turn clockwise to turn up the volume, and counterclockwise to turn down the volume.

4. Bass Volume

Take the central position as the reference. Turn clockwise to turn up the bass, and counterclockwise to turn down the bass.

5. Treble Volume

Take the central position as the reference. Turn clockwise to turn up the treble, and counterclockwise to turn down the treble.

6. Master Volume

Adjust all signal level. Turn clockwise to turn up the volume, and counterclockwise to turn down the volume.

7. Power Switch

8. Signal Level Indicator (SIG)

9. Clipping Indicator (CLIP)

10. Protection Indicator (PRO)

11. Digital Display Screen

Display the current mode status.

12. USB Port

Insert the USB flash disk here to provide programs for the built-in MP3.

13. Mode Switching Button

Can switch to BLUE mode, USB mode and AUX mode.

14. Play/Pause Button

In USB mode and Bluetooth mode, it is a Play/Pause button; while in AUX mode, it is a MUTE button.

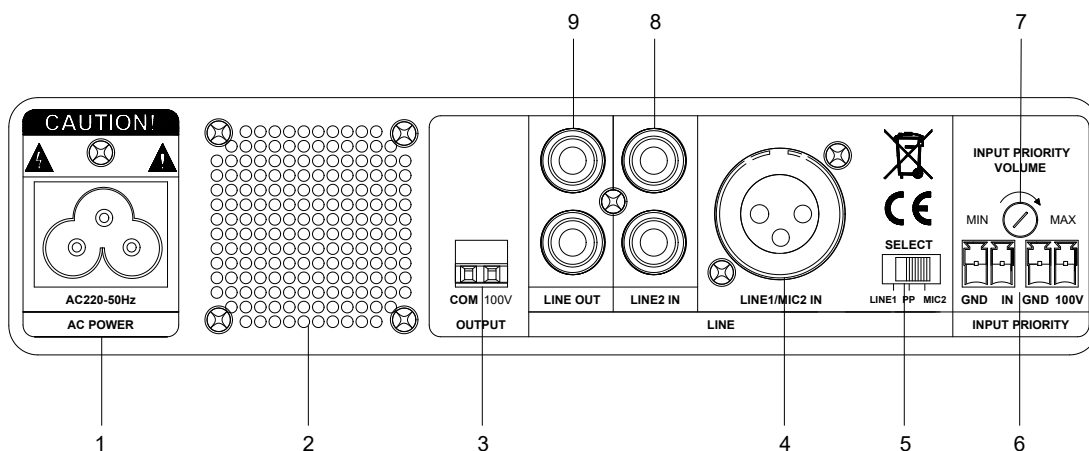
15. Previous Button

Press the button to switch to the “previous”, and long press the button to turn down the volume.

16. Next Button

Press the button to switch to the “next”, and long press the button to turn down the volume.

Rear panel



1. AC POWER IN

Connect the working power source. When connecting, first connect the plug on the machine, and then connect it to the power source.

2. Fan Cooling Window

3. Speaker OUT

4. LINE1 /MIC2 IN

Can connect MIC and other external audio sources.

5. LINE1/PP/MIC2

LINE1/PP/MIC2 audio source selection. Slide left or right to select AUX1 or MIC2 or MIC2(PP) with phantom power. **Note: In the PP position, only microphones driven by phantom power can be connected, and no other signal sources can be connected.**

6. Two inputs with the highest priority

7. Volume control for two inputs with the highest priority

8. AUX2 IN

9. 1VRMS AUX OUT