

MP9821M

M&S Amplifier Auto Switcher



Description

The MP9821M is a main/standby amplifier auto switcher from the classical PA system with advanced technology and most powerful function. It supports automatic fault detection of audio power amplifier, and realize automatic switching between the "main power amplifier" and "standby power amplifier"; With 4 identical independent channels, each channel can complete the automatic detection and switch of the main/standby power amplifier.

Features

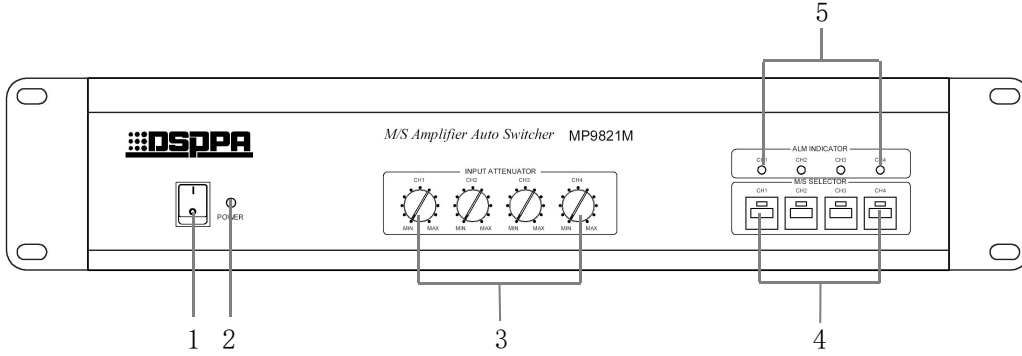
- Switching M/S Amplifiers automatically when one becomes fail.
- 4 individual channels with Auto checking & switching function.
- Manual switching function available.
- Status indicator visually.

Specifications

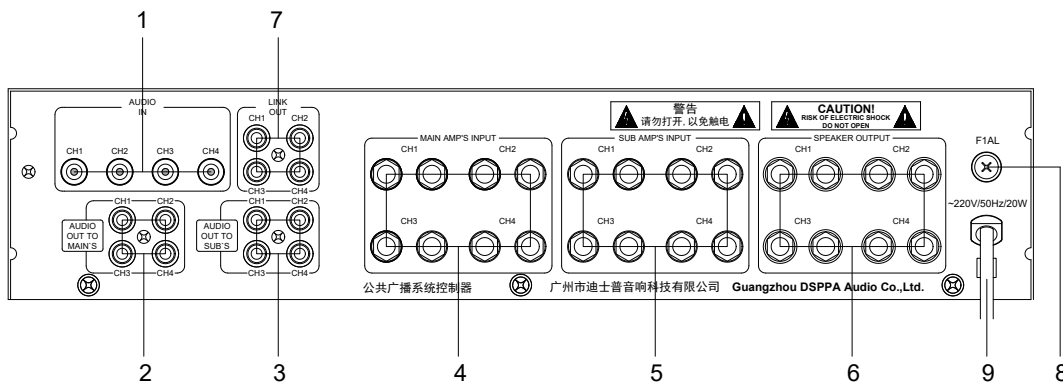
Model	MP9821M
Channel	4
Working compages	(4 main and 4 prep.) or (4 main and 1 prep.)
Channel work capacity	150V/30A (Audio)
Amplifier plus demand	>20dB
Input test voltage threshold	<500mV
30k test signal Output voltage	20mV-50mV
Malfunction switch time	50ms
Channel test time	40ms

Protection	AC fuse
Power Requirement	AC 220V/50Hz
Outer Packing Size (mm)	(L×W×H) 530×440×195
Unit Size (mm)	(L×W×H) 484×365×88
Gross weight	9.6kg
Net weight	7.9kg

Front / Rear Panel



- 1 Power switch
- 3 Volumes
- 5 S-AMP. (ALM) Indicators
- 2 Power indicator
- 4 Manual buttons



- 1 Source input port
- 4 M-AMP. Output port
- 7 Link
- 2 M-AMP. Input port
- 5 S-AMP. Output port
- 8 AC Fuse
- 3 S-AMP. Input port
- 6 Speakers
- 9 AC Power cord