

## MAG6284

### Visual Networked Paging Controller



#### Description

MAG6284 visual network paging controller is a network high-fidelity call station with camera video intercom function based on TCP/IP transmission protocol, which can be hooked up to any place that the network can reach. And can realize the paging control of 1000 partitions, with the characteristics of high stability of traditional paging stations, stable and reliable operation, and low failure rate. The signal is fully digital transmitted, with intelligent control as the core. The 10-inch color LCD display/please click screen is equipped, and the graphic user interface is more user-friendly. With auxiliary input and output channels, local audio source expansion and power amplifier expansion can be realized. The built-in player independently developed by our company enables local monitoring of host programs.

#### Features

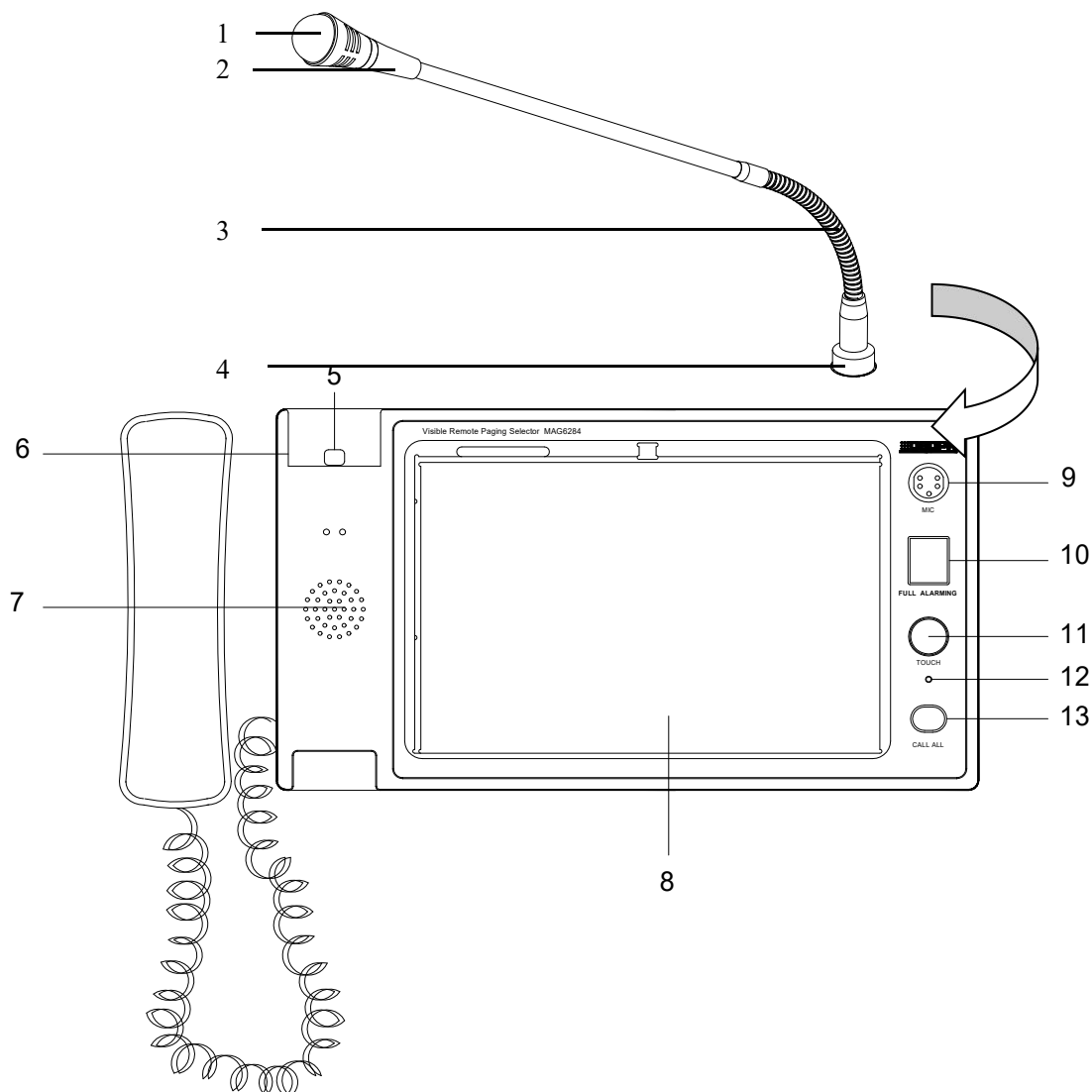
- It boasts a complete interface and a DC15V power supply interface that comply with the IEEE 802.3af/at standard of the Power over Ethernet (PoE) system. The two power supply methods can be switched automatically.
- It supports 100/10Mbps adaptive TCP/IP network transmission protocol;
- With manual shortcut keys, it is convenient for quick paging when it is urgent.
- It has one line input (expandable external program source, wireless microphone, etc.), one local line output (offline output local power amplifier paging), one auxiliary line output (extended monitor power).
- It has built-in high-performance DSP sound processing circuit.
- It adopts embedded real-time system platform and high-performance ARM processor.
- Intelligent paging stations can page and talk to each other.
- The paging microphone can directly open the visual intercom terminal for video intercom;
- And it can play network host program library songs.

- With audio and video log recording function, real-time recording and screen recording of the content of paging can be performed, and it can be played and consulted.
- It has the function of automatically turning off the microphone, and the caller can set to delay the paging time.
- With smart screen saver function, a 10-inch high-definition capacitive touch screen is used, and the color display screen saver delay time can be set.
- The network transmission communication mode can be set.
- It supports Android System;
- It is with face recognition and fingerprint authentication functions;
- It supports multiple input methods such as handwriting input, pinyin, five strokes, strokes, etc.;
- It supports video terminal management, supports video intercom, video surveillance, multi-screen display functions, and displays the video wall through the externally expanded display screen;
- It supports H264, H265, MPEG4 and other video editing and decoding formats;
- It supports user authority management function;
- It has built-in 3W intercom speaker, built-in digital microphone display and goose-neck microphone.

## Specifications

Specification	Parameters
AUX OUT rated output voltage	1.0±0.2V
NET OUT rated output voltage	
MIC input sensitivity (output 1V)	50±10mV
MIC distortion (1kHz/1V)	MIC≤0.3%
Effective frequency range of MIC gain limitation	100-16000Hz
MIC signal-to-noise ratio (30k low pass)	≥68dB
MIC dynamic range	≥20dB
MIC input sensitivity (output 1V)	300±50mV
AUX distortion (1kHz/1V)	AUX≤0.3%
AUX signal-to-noise ratio (30k low pass)	≥68dB
Effective frequency range of AUX gain limitation	50-18000Hz
AUX dynamic range	≥20dB
Effective frequency range of monitor (voice)	80-16000Hz
Monitor signal-to-noise ratio (voice intercom)	≥65dB
Operating voltage range	DC+14V
Standby power consumption	7.3W
Power	DC15V/PoE (802.3af) power supply
Overall power consumption	9.5W
Outer packing size (L×W×H mm)	440×360×135
Machine dimension (L×W×H mm)	350×196×103
Gross weight	4kg
Net weight	2.5kg

Front Panel



**1. Microphone Head**

Do not knock or bump the microphone head when using it.

**2. Microphone Switch Indicator Ring**

The indicator light:

- As long as you turn on the microphone and start paging, the light ring will turn on;
- It turns on synchronously with the indicator light of the microphone switch button when paging the zone.

**3. Microphone Pole**

The microphone angle can be adjusted freely.

**4. Microphone Plug**

The 5-pin XLR plug corresponds to the 5 pins of the socket on the microphone pole in one-to-one.manner

**5. Toggle Key**

Switch between handheld microphone/handset and built-in microphone.

**6. Microphone/handset Fixed Hanging**

Hang the microphone/handset there when not in use.

**7. Monitor Speaker Window**

It is used to transmit other's voice during intercom.

**8. LCD Color Screen**

Display the working status and operation item interface of the paging station; please click the screen to perform option operations.

**9. Microphone Socket**

5-pin XLR socket:

- Pin 1 is the red light of the tube microphone;
- Pin 2 is the tube microphone head blue light;
- Pin 3 is the voice signal input;
- Pin 4 is the signal input ground terminal;

- Pin 5 provides power for the tube microphone indicator light of the tube microphone;

### 10. All-around Alarm Button

When an emergency occurs, all partitions will be automatically opened after pressing this button, and an alarm signal will be sent to all partitions. When the button is in the alarm state, the red light is on. At this time, press the button again to end the alarm.

### 11. Fingerprint Collection window

Fingerprints collection. When fingerprint registration

is completed, fingerprint can be used to wake up the device when it is in the state of stand-by or starting up.

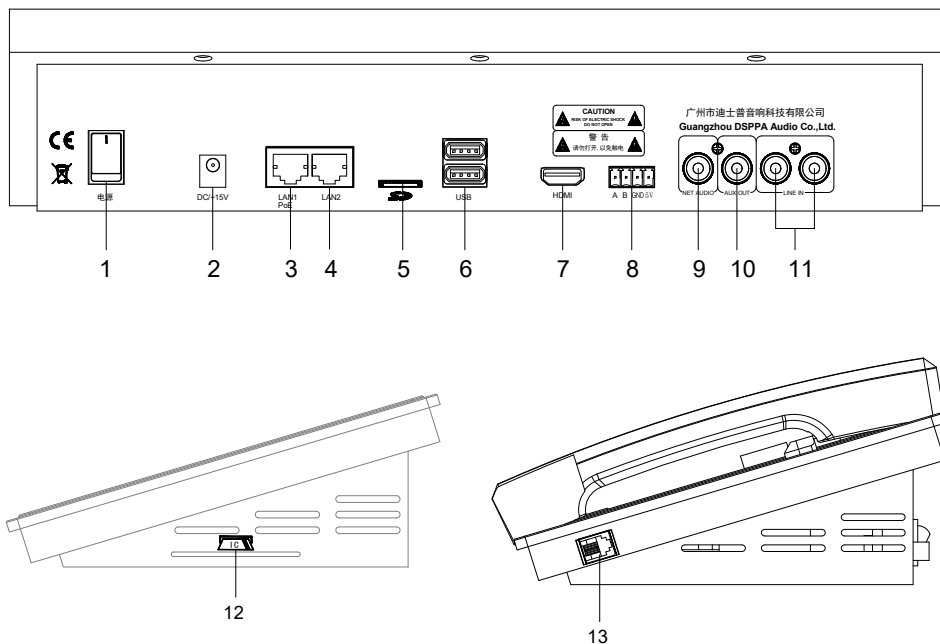
### 12. Microphone Switch Indicator

The indicator light is on when you press the "CALL ALL" button to open all partitions. This indicator will also light up when a terminal is paged.

### 13. Paging Button

All-around paging by one touch.

## Rear Panel



### 1. Switch

Press down "one" to turn on the power, and pop up "one" to turn off the power.

### 2. DC15V Power Supply Interface

This machine's DC power supply input interface. (Note: This interface can be used for power supply when PoE power supply is not used.)

### 3. PoE network interface

When used as a data and power transmission interface, connect to a PoE switch with 48V, AT mode output, and only connect to a common switch network port when used as data transmission.

### 4. Network Interface

Connect the network switch.

### 5. SD card jack (Micro SD)

Insert a USB or connect a storage device such as a mobile hard disk with MP3 programs to this interface to provide a program source for the built-in MP3 player.

### 6. USB interface

Insert a USB or connect a storage device such as a mobile hard disk with MP3 programs to this interface to provide a program source for the built-in MP3 player.

### 7. HDMI Output Interface

An external display can be connected.

### 8. Data Exchange Interface

RS485 analog paging function interface is reserved for expanding the visual network system.

### 9. Network Audio Output

### 10. Line Audio Output Interface

Connect the power amplifier device.

### 11. Line Audio Input Interface

Connect player equipment, such as a DVD player or tuner, etc.

### 12. IC Card Socket

You can insert an IC card to register and log in.

### 13. Microphone/handset Connection Part