

## DM858U DM858T

### 8×10W 8-Inch In-Wall Smart Background Music Amplifier



#### Description

This in-wall smart background music amplifier integrates playback, control, and display into one compact unit. Featuring an 8-inch high-definition touchscreen, it offers intuitive operation. With support for dual-zone independent audio control, it enables synchronized playback of two separate audio sources. The amplifier is compatible with multiple audio formats and various inputs including Bluetooth, USB, and TF card, while also offering sound effect adjustment. Equipped with an RS485 interface, it seamlessly integrates into modern smart home and commercial environments, providing an ideal all-in-one audio solution.

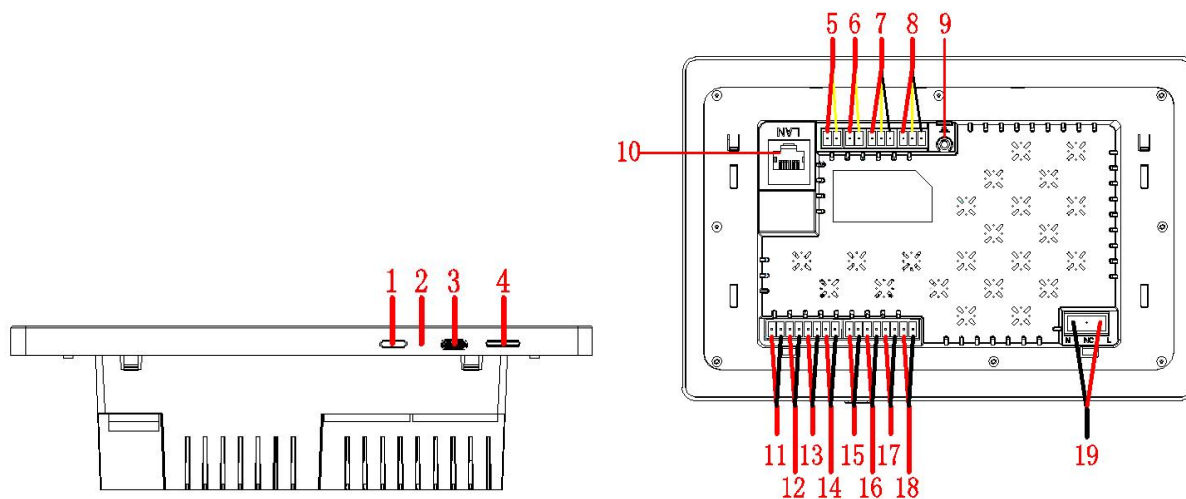
The DM858U is the standard background music model, while the DM858T comes with Tuya smart control and Zigbee connectivity for enhanced intelligent integration.

#### Features

- Supports dual-zone music control, featuring an 8-inch touch screen with 1280\*800 resolution for intuitive operation and control.
- Audio Playback: Compatible with a wide range of audio formats including MP3, WAV, WMA, FLAC, DTS, APE, AC3, OGG, etc.
- Bluetooth: Enables mobile phones to search for and connect to the host for wireless music playback.
- External Audio Input: Allows connection of external audio sources to the unit for amplified output.
- Supports connection of wireless microphones for home karaoke entertainment (Optional).
- Time and Calendar: Includes clock and calendar display functions.
- TF Card Support: External TF card slot, compatible with TF cards up to 32GB.
- USB Support: External USB port, supports USB drives with capacity up to 32GB.
- Supports both wired network connection and Wi-Fi connection.
- Equipped with an RS485 interface.
- Suitable for home, commercial areas, children's rooms, and similar environments.

## Specifications

Model	DM858U	DM858T
CPU	Quad-core Cortex @1.6GHz	
System	Android 11	
Screen	8-inch 1280*800 multi-touch screen	
RAM	2G	
ROM	16G	
Wired Network	Support	
Wi-Fi	802.11b/g/n, 150Mbps 2.4GHz	
Zigbee	\	802.15.4PHY/MAC Zigbee zigbee protocol stack
RS485	Support	
Wireless Protocol	WiFi, Bluetooth	WiFi, Bluetooth, Zigbee
Gateway Function	\	Features Zigbee gateway capability, supporting connection to 50+ sub-devices and enabling seamless control of various Tuya ecosystem devices.
Music Playback	Supports music playback via Bluetooth, TF Card, USB drive, and AUX input.	
Speaker Output	8×(10-25W) (MAX.) (Specific output depends on selected hardware configuration)	
Output Impedance	4-8Ω	
Amplifier Parameters	Frequency Response	20Hz-20kHz
	S/N Ratio	98dB
Power Input	AC110~250V, 50/60Hz	
Installation Method	Surface-mounted with pre-installed box	
Operating Temperature	0℃~40℃	
Operating Humidity	5%~90% RH, non-condensing	
Junction Box Dimensions	177×104×69mm	
Product Dimensions	198.2×133×55.7mm	
Package Dimensions	300×175×105mm	
Net Weight	0.8kg	
Gross Weight	1.2kg	



1. Power Button: Long press to shut down or restart; short press to turn off the display.
2. Update Port: Dedicated for system upgrades.
3. Type-C USB: For connecting external USB drives (max. support 32GB).
4. TF Card Slot: For external TF cards (max. support 32GB).
5. 485 Interface: Connect 485A and 485B to allow external devices to control the background music system. This unit can also control other 485 devices.
6. Subwoofer: Connect GND and SW to an active subwoofer.
7. Audio Input: Use audio cable (three-core shielded cable, commonly known as microphone cable) such as RVVP2×0.5 or RVVP2×0.75 to connect to AUX L, AUX R, and GND for external audio input.
8. Audio Output: Use audio cable (three-core shielded cable, commonly known as microphone cable) such as RVVP2×0.5 or RVVP2×0.75 to connect to OUT R+, OUT L+ and GND for connection to other amplifiers.
9. Ground Terminal: For chassis grounding.
10. Ethernet Port: For wired network connection.
11. Speaker Output: Use speaker cable (200-strand type) such as RVH 2×100 or RVH 2×200 to connect to SPK R+ and SPK R-. Compatible with speakers rated under 30W.
12. Speaker Output: Use speaker cable (200-strand type) such as RVH 2×100 or RVH 2×200 to connect to SPK L+ and SPK L-. Compatible with speakers rated under 30W.
13. Speaker Output: Use speaker cable (200-strand type) such as RVH 2×100 or RVH 2×200 to connect to SPK R+ and SPK R-. Compatible with speakers rated under 30W.
14. Speaker Output: Use speaker cable (200-strand type) such as RVH 2×100 or RVH 2×200 to connect to SPK L+ and SPK L-. Compatible with speakers rated under 30W.
15. Speaker Output: Use speaker cable (200-strand type) such as RVH 2×100 or RVH 2×200 to connect to SPK R+ and SPK R-. Compatible with speakers rated under 30W.
16. Speaker Output: Use speaker cable (200-strand type) such as RVH 2×100 or RVH 2×200 to connect to SPK L+ and SPK L-. Compatible with speakers rated under 30W.
17. Speaker Output: Use speaker cable (200-strand type) such as RVH 2×100 or RVH 2×200 to connect to SPK R+ and SPK R-. Compatible with speakers rated under 30W.
18. Speaker Output: Use speaker cable (200-strand type) such as RVH 2×100 or RVH 2×200 to connect to SPK L+ and SPK L-. Compatible with speakers rated under 30W.
19. Power Supply (Live & Neutral): Connect to AC110-250V power source.