

DSP6717G & DSP6716B

2.4G Wireless Microphone & Wireless Microphone Charging Dock



Description

This 2.4 G Wireless Microphone integrates on-site voice amplification, PPT slide navigation, document scrolling, and infrared laser pointer functionality. It is ideal for use in meetings, campus teaching, and other settings. Designed to integrate seamlessly with conference systems and network devices, it is versatile enough to support local broadcasting, "one teacher, one microphone" multimedia teaching, and wireless conference.

Features

Wireless Microphone Features

- Long transmission distance: capable of reliably transmitting audio data over a range of 25 meters in open areas.
- 2.4G+ automatically searches for channels with less interference and pairs automatically, ensuring no

frequency overlap, strong anti-interference, and stable transmission.

- Supports one-key mute function.
- Supports built-in microphones and external microphones, and can be configured with a headset microphone or a lavalier microphone.
- Support PPT page turning: PPT page turning module, supports hot plug without driver software.
- Charging dock design: user-friendly charging dock design.
- LCD display shows connection status, power level (charging display), volume, PPT function and so on.
- With power saving mode, when the device is turned on and there is no connection or button press, it will automatically shut down for 5 minutes; it will automatically shut down if there is no button operation within 1 hour after the connection is successful.
- Small size, ultra-low power consumption design.
- Chinese/English menu display.
- Use sandstone black paint process to make it with excellent hand feeling.
- Supports voice amplification with adjustable volume and reverb functions.
- Built-in storage, capable of playing audio files or recording and storing audio files.
- 3.5mm input interface, can connect to external audio sources such as headset microphone or lavalier microphone.
- Automatic connection: automatically pairs when in proximity to the speaker.
- With infrared laser, can be used as a pointer.
- Built-in 3.7V, 1000mAh battery, which can be powered via USB to charge the lithium battery.

1Charging Dock Features

- Powered by DV12V adapter;
- Can charge up to 2 transmitters simultaneously;
- The 1000mAh lithium battery charges in less than 1 hour;
- Wide voltage input: AC100V-240V/50-60Hz.
- Static power consumption: less than 0.4W.

Specifications

Model	DSP6717G & DSP6716B
DSP6717G Wireless 2.4G Microphone	
Wireless MIC Input Sensitivity	≤80mV
THD	1%
Frequency Characteristic	80Hz~5KHz(-3dB)
Transmission Reception Distance	≥10m
SNR	≥70dB
Matching Distance	It has been set to within 2 meters, and the matching distance can be modified by operating the microphone
Package Size (L×W×H mm)	240×180×110mm
Product Size (L×W×H mm)	105×38×20mm
Gross Weight (2PCS)	1kg
Net Weight	0.1kg
Frequency Pairing Method	Automatic frequency pairing, automatic frequency hopping, automatic

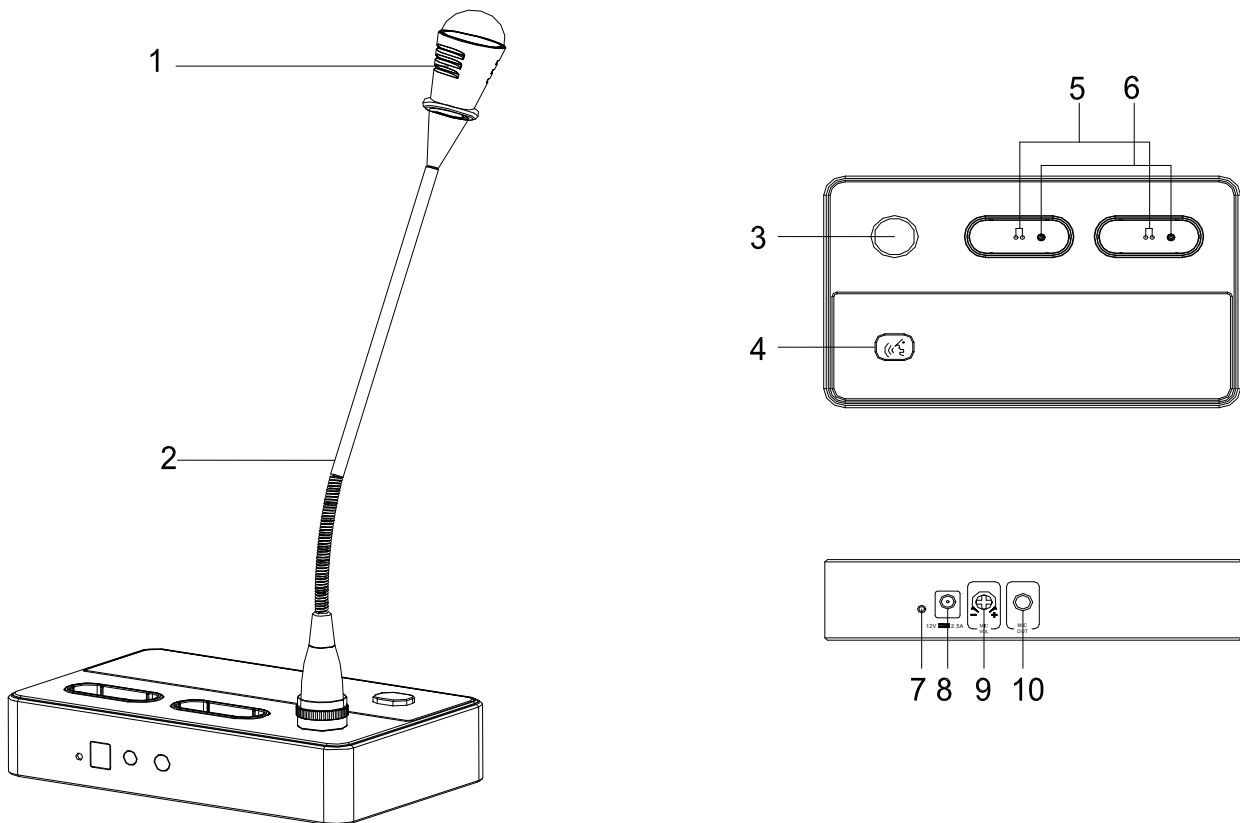
frequency locking, 1 to 1 matching.

DSP6716B Wireless Microphone Charging Dock

Input Sensitivity	50±5mV
Frequency Response Range	150-16KHz/±3dB
Total Harmonic Distortion	< 1%
SNR	≥81(A) dB
Charging Dock Power Supply	DC5V
Power Adapter	DC12V/2.5A
Package Size (L×W×H mm)	465×350×110mm
Product Size (L×W×H mm)	161*101*40mm
Gross Weight	2kg
Net Weight	0.65kg

Front / Rear Panel

DSP6716B Wireless Microphone Charging Dock



1. Microphone Headlight Ring
2. Microphone Rod
3. Microphone Interface
4. Mic Power On/Off Key;
5. Charging Contact

6. Support Points
7. Power Indicator Light
8. Power Interface
9. Microphone Volume Adjustment
10. Microphone Output Interface

DSP6717G Wireless 2.4G Microphone

