

DSP8060T 8" 60W Ceiling Speaker



Description

The DSP8060T is a 60W ceiling speaker. It has excellent sound quality, simple structure, simple and convenient power setting, easy to install and other features. Suitable for indoor environment, can play excellent background music and voice broadcasts.

Features

- 8" woofer+1" tweeter
- 70V/100V , Rated Power:60W
- Freq. Resp.:50Hz-20kHz
- Sensitivity 90 ± 2 dB
- Cutout size: $\varnothing 250$ mm
- Product size: $\varnothing 281 \times 110$ mm
- Woofer with 35 cores
- Tweeter with 25 cores Dupont PEEK sound film
- ABS material
- Weight: 2.25kg

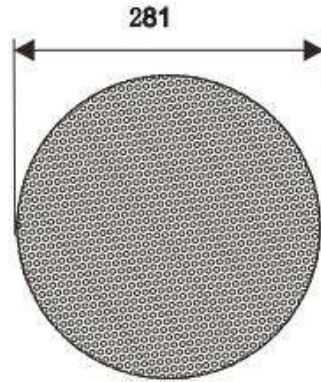
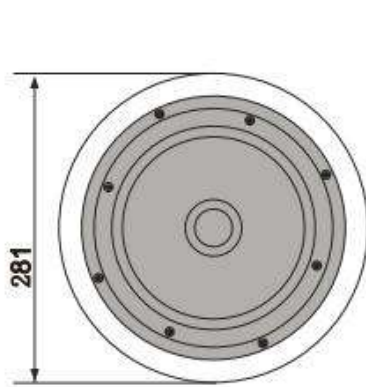
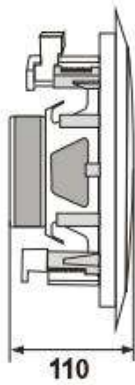
Specifications

Model	DSP8060T
Unit Driver	8" woofer+1" tweeter
Rated Power	60W
Max. Power	120W
Power Taps	60W/30W/15W
Sensitivity	90dB \pm 2dB
Frequency Response (-10dB)	50-20kHz
Coverage Angle (1KHz/-6dB)	150°
Impedance	167 Ω /333 Ω /667k Ω
Dimension (W*D)	$\varnothing 281 \times 110$ mm
Weight	2.25kg

Color

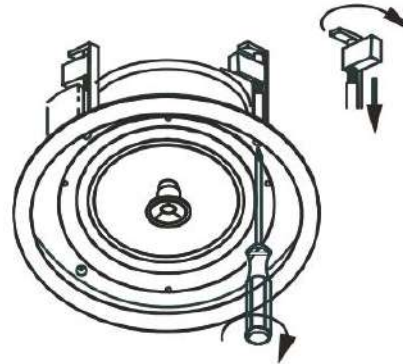
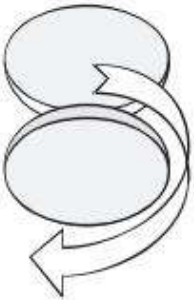
White

Product Information

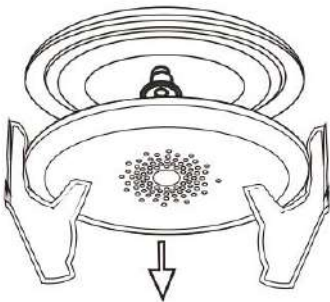


Installation Steps

Step 1: Open a $\varnothing 250\text{mm}$ hole in the ceiling.



Step 2: Remove the mesh mask



Step 4: After the product is fixed, reload the mesh mask.

Step 3: Press the open hole in advance, install the product to the ceiling, and lock the screws.

