

LRAS1530A LRAS1530S LRAS1515P LRAS1515M

300W Active Long-Range Directional Acoustic Hailing Device



Description

The LRAS1530A 300W active long-range directional acoustic hailing device features portability, high sound pressure level, high directionality, and high intelligibility. It is suitable for military systems (anti-terrorism and explosive disposal, border defense, coastal defense, maritime surveillance law enforcement, and sentry posts), public security systems (crowd incident control, and public security and stability maintenance), public safety systems (joint security patrols, firefighting, safety supervision, and airport bird control), emergency systems (disaster rescue, meteorological warnings, and geological warnings), and public address systems (squares, docks, factories, and large-scale projects), etc.

The LRAS1515P acoustic hailing device player is an audio source equipment compatible with active long-range directional loudspeakers. It features a digital display screen, USB interface, Bluetooth, MP3 playback, and a waterproof design. The LRAS1515M handheld microphone is used for speaking, recording, storing, and playing back recordings. The microphone can store only one recording at a time. The LRAS1530S active long-range directional acoustic hailing device loudspeaker is characterized by portability, high sound pressure level, high directionality, and high intelligibility. It is suitable for use in explosion prevention, anti-terrorism, and warning scenarios.

Features

LRAS1515P Acoustic Hailing Device Player

- With one-key loud dispersal function.
- With an LCD display screen for operating status display.
- With a built-in player for USB flash drive playback.
- Support dedicated wired MIC input.
- Support MIC recording and playback.

- Support line input.
- Compatible with active long-range directional loudspeakers, providing audio sources for loudspeakers, including MP3 and Bluetooth.
- Waterproof level IP65 with a waterproof structure.

LRAS1530S Active Long-Range Directional Acoustic Hailing Device Loudspeaker

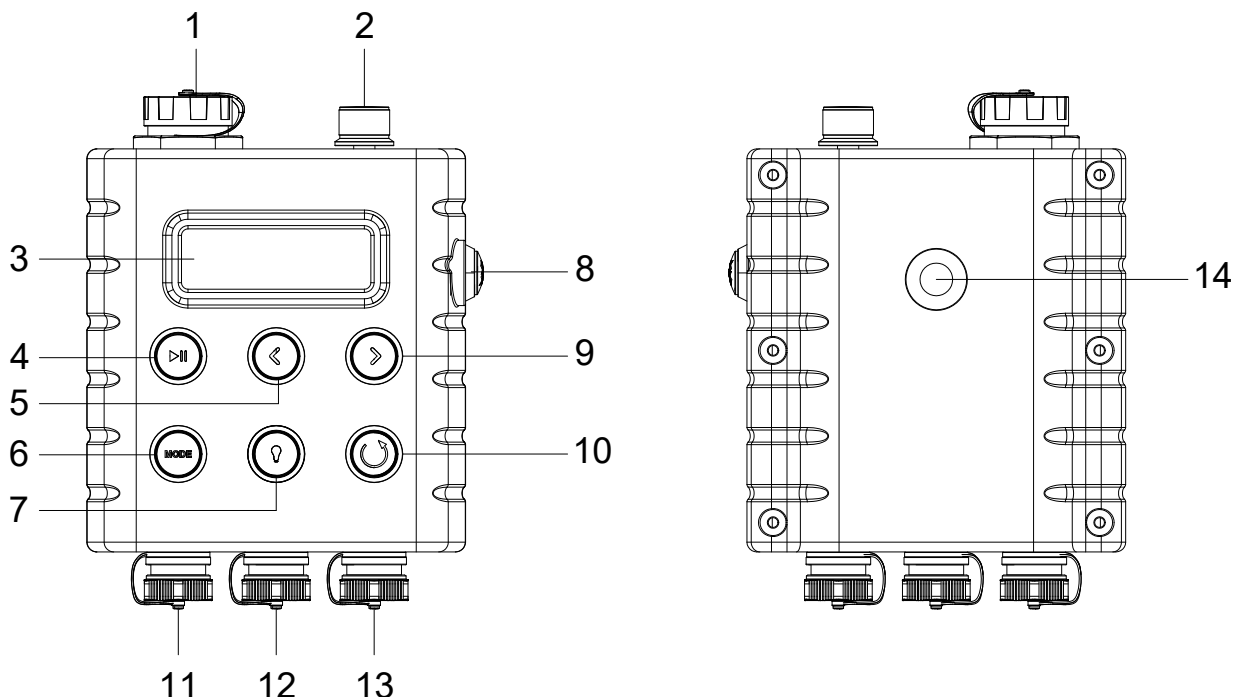
- All-weather design with an enclosure crafted from high-strength industrial-grade materials, offering exceptional weather resistance.
- Good directional control, no directional changes with increasing frequency.
- Maximum sound pressure level up to 139.5±2dB (at 1 meter).
- Sound transmission distance up to 1500 meters (in open areas), with high intelligibility.
- Waterproof level IP65 with a waterproof structure.
- Main sound beam angle: +/- 15 degrees (@2.5kHz).
- Built-in SD card, which can be triggered to play through external trigger control pins.

Specifications

Model	LRAS1515P Acoustic Hailing Device Player
Input Sensitivity (MIC)	50±5mV
Input Sensitivity (AUX)	300±50mV
Input Sensitivity (USB Flash Drive)	-10dB
Input Sensitivity (Bluetooth)	-10dB
Audio Output	2000±200mV
Frequency Response (AUX)	400Hz-8kHz
Frequency Response (MIC)	400Hz-8kHz (±3dB)
Distortion	≤1%
Audio Format	MP3, WAV
Power Supply	DC12V/1A
Player Dimensions	160×122×55mm
Player Net Weight	0.43kg

Model	LRAS1530S Active Long-Range Directional Acoustic Hailing Device Loudspeaker
Rated Power	300W
Loudspeaker Input Power	DC24V
Adapter Input Power	AC220V
Signal Input Voltage	1000±100mV
Rated Impedance	4Ω
Frequency Response	400Hz-6kHz
Maximum Sound Pressure Level (1m)	139.5±2dB
Beam Angle	±15° (@2.5kHz)
Protection Level	IP65
Package Dimensions (Aviation Case)	900*460*350mm
Loudspeaker Dimensions	640*360*206mm
Gross Weight	29.1kg (excluding optional accessories)
Net Weight	13.85kg

LRAS1515P Acoustic Hailing Device Player



1. USB Interface
Support USB 2.0 and USB flash drives with capacities under 32GB, ensuring good compatibility.
2. Volume Knob
Rotate clockwise to increase the volume and counterclockwise to decrease the volume.
3. Display Screen
Show playback mode and working status indication.
Note: When displaying "AMP PROTECT!", it indicates DC or short circuit protection.
4. Play/Pause Button
In USB flash drive and Bluetooth modes, play/pause playback.
5. Previous Track
In USB flash drive and Bluetooth playback modes, short press to switch to the previous track, long press to decrease the volume.
6. Mode Switching Button
Press this button to switch between USB playback mode, line input mode (AUX), and Bluetooth playback mode (BLUE).
7. Button/Screen Backlight Switch
When used at night, press the button to turn on the button/screen backlight, and the button light will be normally green. Press again to turn off the backlight.
8. Play Dispersal Button
Press the button once to activate the dispersal signal; press again to stop the signal. This audio source has the highest priority.
9. Next Track
In USB flash drive and Bluetooth playback modes, short press to switch to the next track, long press to increase the volume.
10. Playback Mode Switching Button
In USB flash drive and Bluetooth playback modes, the playback modes are: all loop (ALL), random play

(RAN), and single cycle (ONE).

11. Handheld Microphone Connector

12. Line Input Port

Pin 1 is ground, pin 2 is R input, and pin 3 is L input.

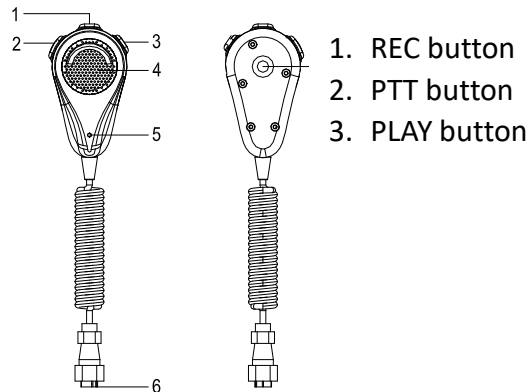
13. Loudspeaker Box Connection Port

Connected to the loudspeaker box with a 7-pin shielded cable.

14. Mounting Bracket

Installed and suspended on the acoustic hailing device loudspeaker box.

Wired Handheld Microphone



1. REC button

Before recording, insert the USB flash drive. Press and hold the PTT + REC buttons for about 3 seconds to start recording. Press and hold the PTT + REC buttons for 3 seconds and release them to stop the recording. (Note: During recording, turn the volume potentiometer to its minimum setting for the best recording quality. Adjust the volume back to the desired level after recording.)

2. PTT Black Microphone Button

3. Press and hold the PTT button to activate the speaking function. Release the button to exit the speaking function.

4. PLAY Button

Press the PLAY button once to enter the recording playback mode, playing the most recent recording in reverse order. Press again to exit the recording playback mode.

5. Recording Indicator

The LED indicator is normally on while recording.

6. Microphone Connector

7. Mounting Bracket

Installed and suspended on the acoustic hailing device loudspeaker box.

Wireless Handheld Microphone



1. Microphone Head Component

Speak or sing into this area, ideally within 20 centimeters.

2. Display Screen

Show working status and frequency. After about 20 seconds of powering on, it enters power-saving mode and displays only the battery level. Press the power button lightly to display all information.

3. Power Button

Press lightly to power on, and press and hold for about 3 seconds to power off.

4. SET FM Button

Adjust the frequency for frequency pairing. Press lightly to change the microphone frequency, cycling through available frequency points.

5. VOL+ Button

Increase the volume.

6. VOL- Button

Decrease the volume.

7. Battery Compartment

Unscrew the microphone's tail section to insert the battery (ensure correct polarity before inserting).

8. Antenna Tail Section

Emit radio waves. Avoid holding this area during use.

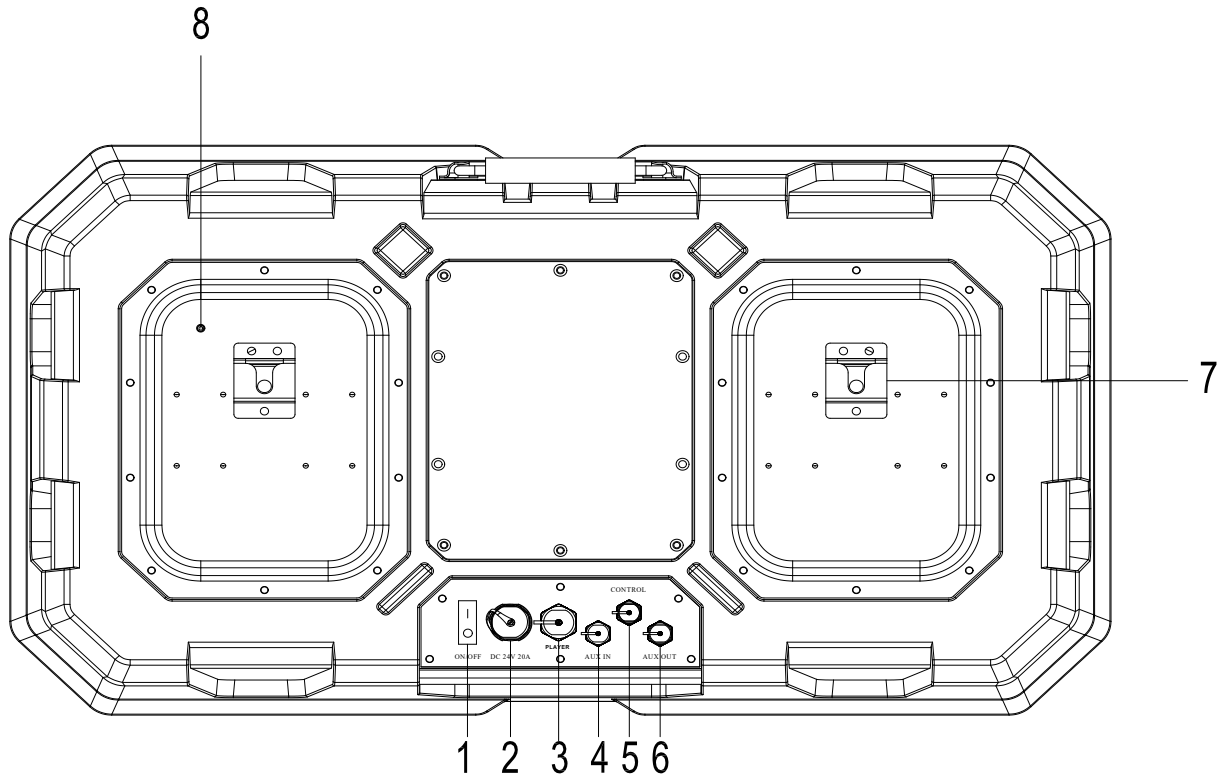
9. Microphone Tail Section

Unscrew to access the battery compartment and function adjustments.

10. TYPE-C Charging Port

Compatible with most phone chargers on the market, it requires a 5V charging head.

LRAS1530S Active Long-Range Directional Acoustic Hailing Device Loudspeaker



1. Power Switch

2. Power Input Port

3. Alarm Panel Interface

4. Line Input Interface

Pin 1: LIN_P; Pin 2 foot: LIN_N; Pin 3: GND.

5. Control Interface

Pin 1: 24V; Pin 2: Ground; Pin 3: 12V; Pin 4: Short-circuit trigger input pin; Pin 5: Closed ground output pin.

6. Line Output Interface

Pin 1: LOUT_P; Pin 2: LOUT_N; Pin 3: GND.

7. Mounting Bracket

Attach the handheld microphone and player.

8. Power Indicator